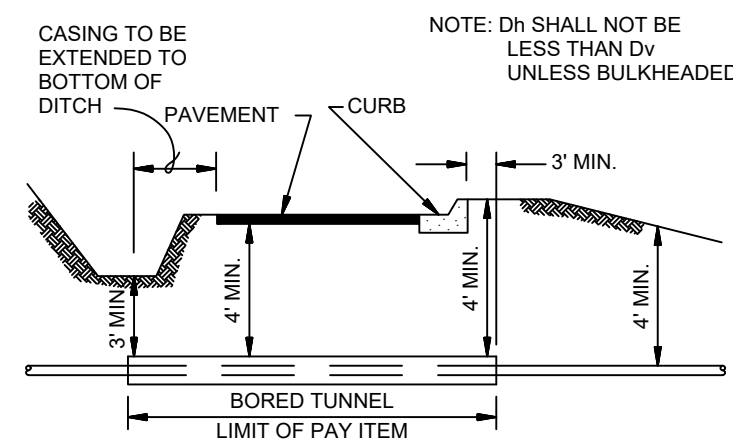
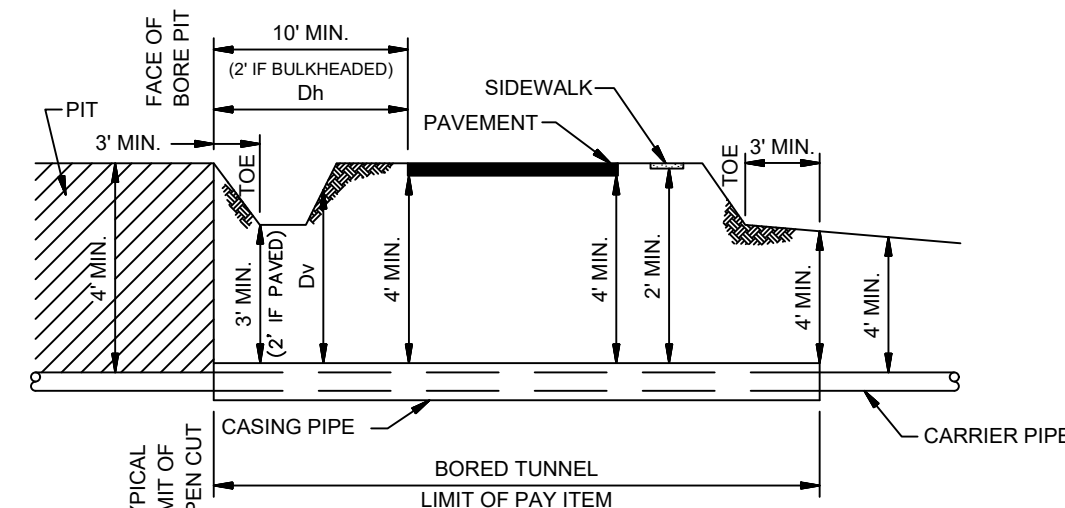
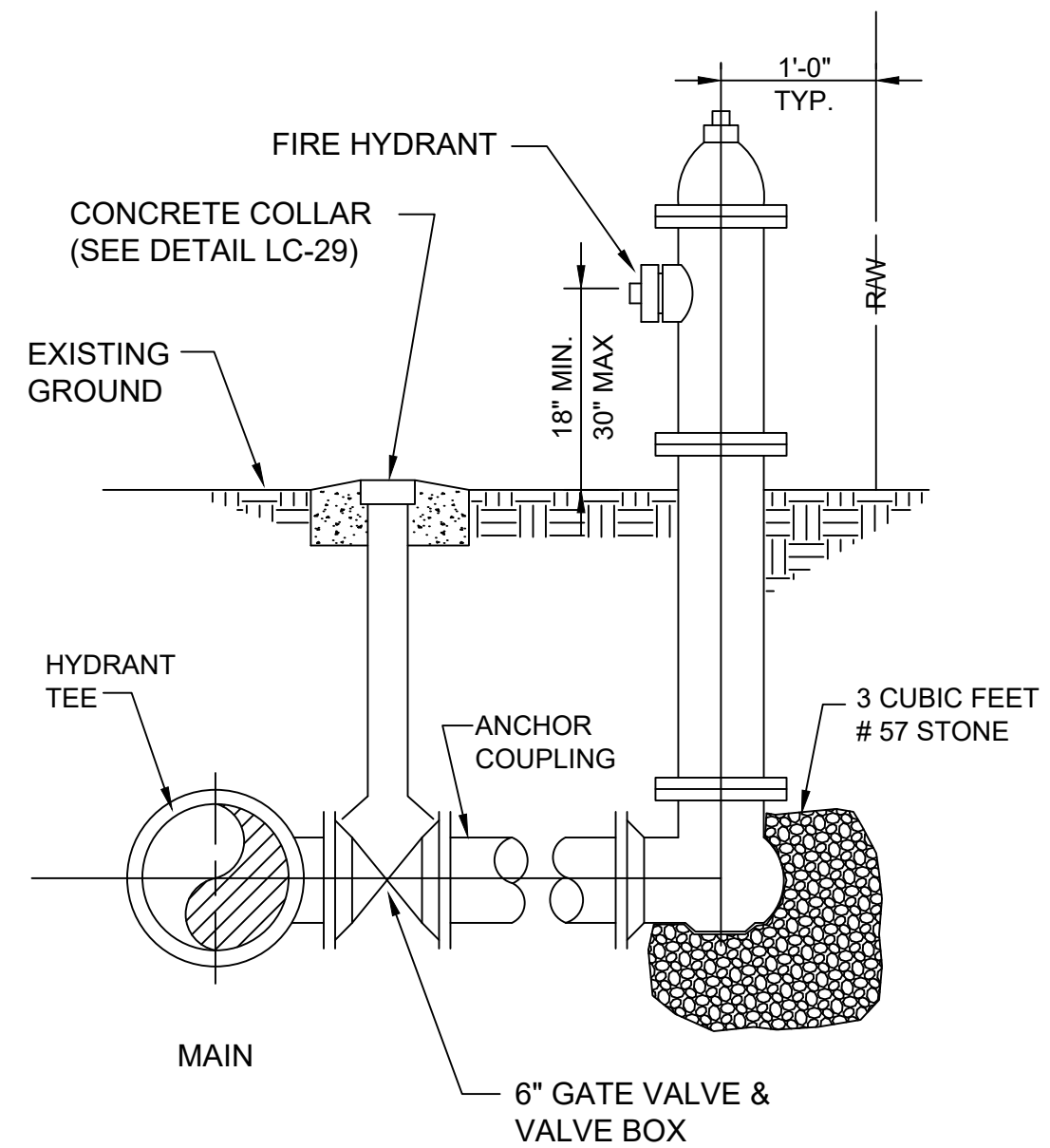


NOTE: CONSTRUCTION IN GEORGIA DEPARTMENT OF TRANSPORTATIONS RIGHT-OF-WAY SHALL CONFORM TO D.O.T. STD. SPECIFICATIONS

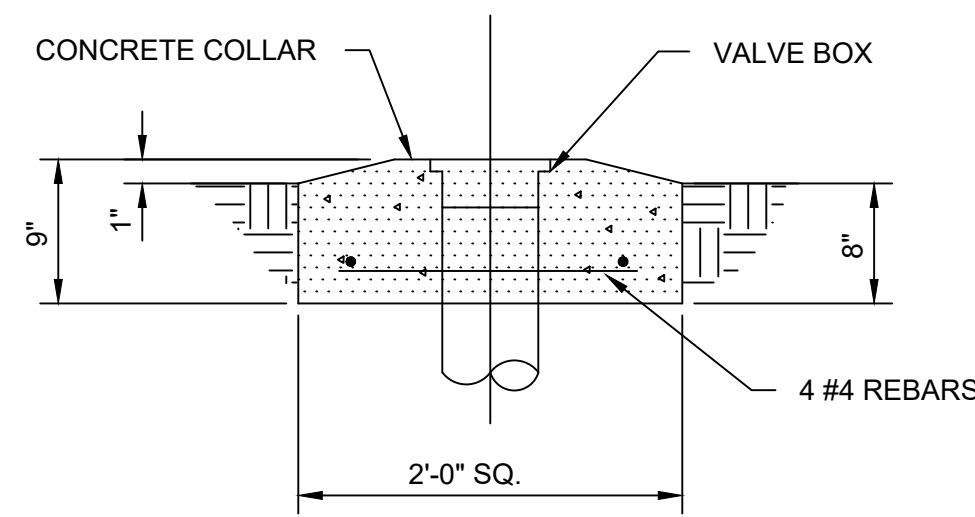


**HIGHWAY UTILITY CROSSING DETAIL**  
N.T.S.



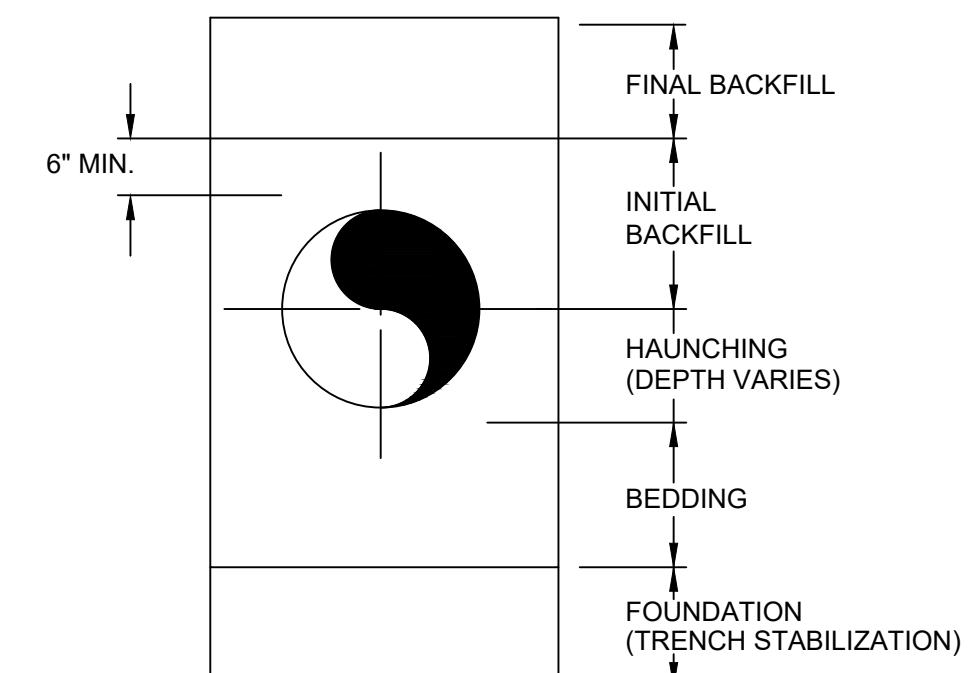
**FIRE HYDRANT**  
N.T.S.

NOTE: A BLUE RAISED PAVEMENT MARKER SHALL BE INSTALLED WITH HYDRANT ALONG APPROPRIATE ROADWAY CENTERLINE WHEN APPLICABLE.



**VALVE BOX FOR UNDERGROUND VALVE**  
N.T.S.

NOTE: CONCRETE COLLAR MAY BE PRECAST OR CAST IN PLACE.



NOTE: SEE SPECIFICATIONS AND PIPE BEDDING AND HAUNCHING DETAILS FOR DIMENSIONS AND MATERIALS

**TRENCH TERMINOLOGY**  
N.T.S.



LOWNDES COUNTY, GEORGIA  
STANDARD DETAILS  
WATER AND WASTEWATER

REVISED JANUARY 2003  
DATE: JULY 1996  
SCALE: N.T.S.  
JOB NO.: 1215-015-01  
SHT. LC-19



LOWNDES COUNTY, GEORGIA  
STANDARD DETAILS  
WATER AND WASTEWATER

REVISED JANUARY 2003  
DATE: JULY 1996  
SCALE: N.T.S.  
JOB NO.: 1215-015-01  
SHT. LC-19



LOWNDES COUNTY, GEORGIA  
STANDARD DETAILS  
WATER AND WASTEWATER

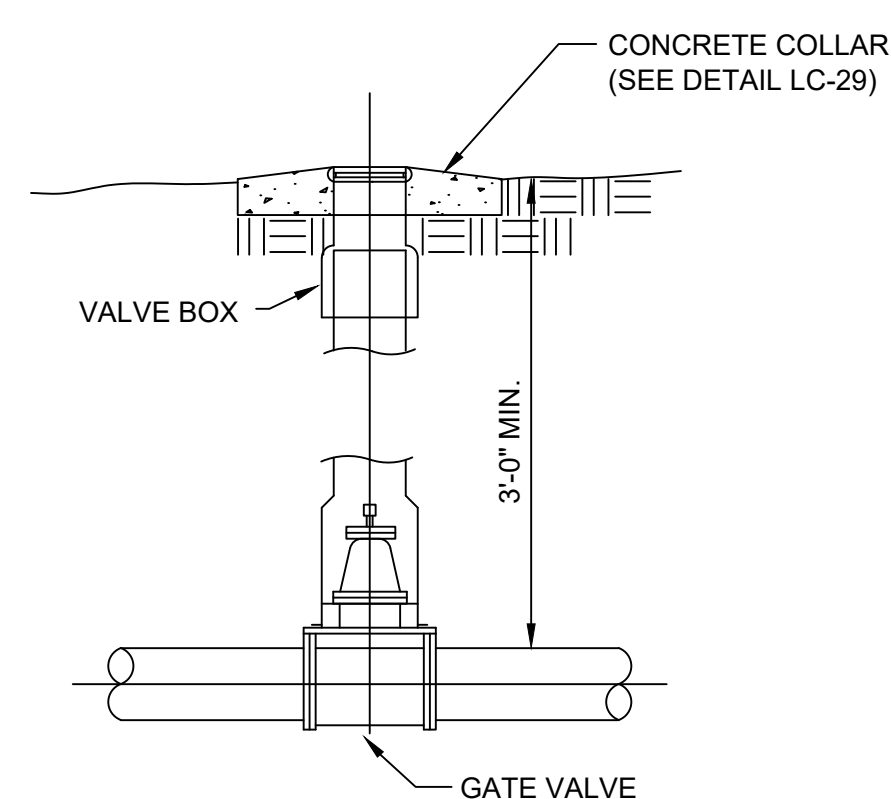
REVISED JANUARY 2003  
DATE: JULY 1996  
SCALE: N.T.S.  
JOB NO.: 1215-015-01  
SHT. LC-29



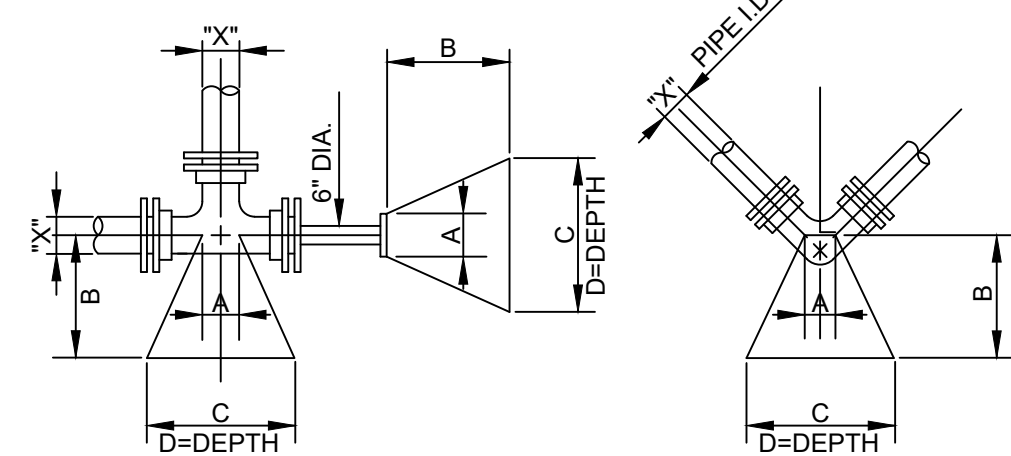
LOWNDES COUNTY, GEORGIA  
STANDARD DETAILS  
WATER AND WASTEWATER

REVISED JANUARY 2003  
DATE: JULY 1996  
SCALE: N.T.S.  
JOB NO.: 1215-015-01  
SHT. LC-6

NOTE: A WHITE RAISED PAVEMENT MARKER SHALL BE INSTALLED ALONG APPROPRIATE ROADWAY CENTERLINE AT ALL IN-LINE VALVE LOCATIONS.



**GATE VALVE INSTALLATION**  
N.T.S.

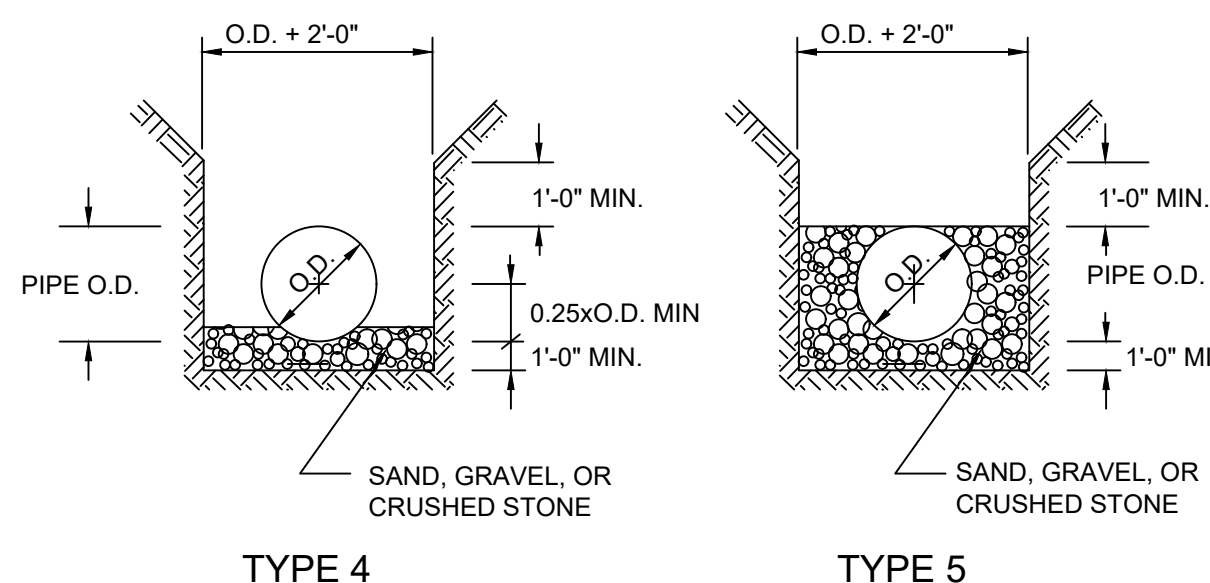
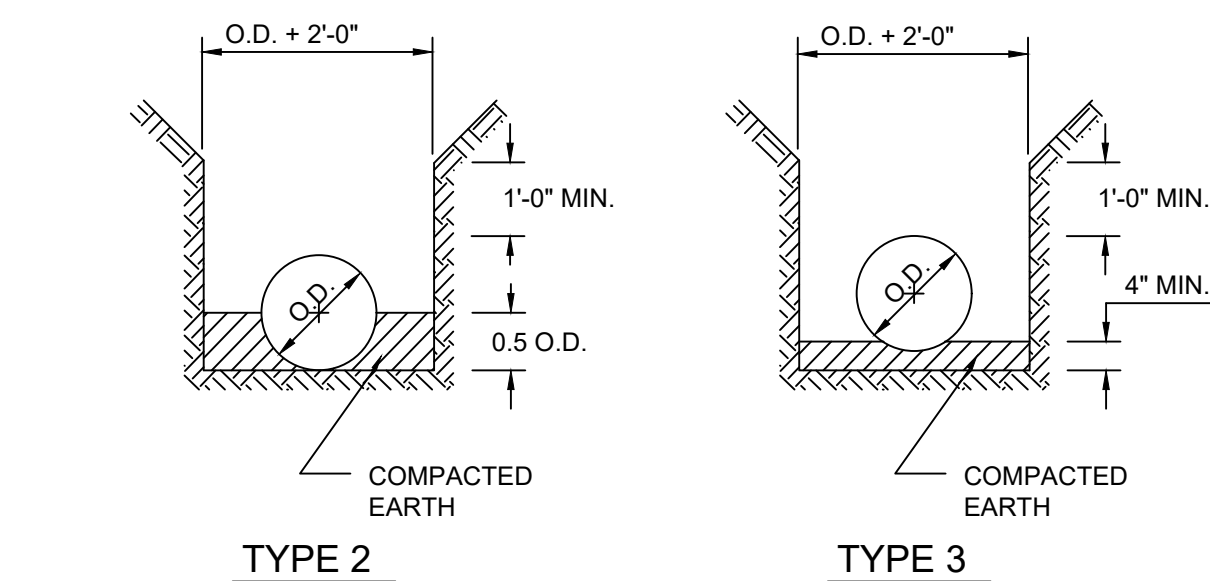


150 PSI TEST PRESSURE  
2000 PSF SOIL BEARING

		BLOCKING DIMENSIONS				
		X*	A	B	C	D
DEAD END & TEES	16"	1'-3"	3'-6"	7'-6"	4'-9"	4'-9"
	12"	1'-0"	3'-0"	5'-6"	3'-6"	3'-6"
	10"	1'-0"	2'-6"	4'-9"	3'-0"	3'-0"
	8"	0'-10"	2'-0"	4'-0"	2'-6"	2'-6"
	6"	0'-8"	1'-6"	2'-9"	1'-9"	1'-9"
90°	16"	1'-3"	5'-6"	9'-0"	5'-6"	5'-6"
	12"	1'-0"	4'-0"	6'-9"	4'-3"	4'-3"
	10"	1'-0"	3'-0"	5'-9"	3'-6"	3'-6"
	8"	0'-10"	2'-6"	4'-9"	3'-0"	3'-0"
	6"	0'-8"	1'-6"	3'-6"	2'-9"	2'-9"
	12"	1'-0"	2'-3"	5'-3"	3'-3"	3'-3"
	10"	1'-0"	2'-3"	4'-6"	2'-9"	2'-9"
	8"	0'-10"	1'-6"	3'-6"	2'-3"	2'-3"
	6"	0'-8"	1'-3"	2'-6"	1'-6"	1'-6"
	16"	1'-3"	1'-6"	4'-9"	3'-0"	3'-0"
45°	12"	1'-0"	1'-6"	3'-6"	2'-3"	2'-3"
	10"	1'-0"	1'-3"	3'-0"	2'-0"	2'-0"
	8"	0'-10"	1'-0"	2'-6"	1'-6"	1'-6"
	6"	0'-8"	1'-0"	1'-9"	1'-3"	1'-3"
	16"	1'-3"	1'-6"	3'-3"	2'-0"	2'-0"
	12"	1'-0"	1'-6"	2'-6"	1'-6"	1'-6"
	10"	1'-0"	1'-0"	2'-3"	1'-3"	1'-3"
	8"	0'-10"	1'-0"	1'-9"	1'-0"	1'-0"
	6"	0'-8"	1'-0"	1'-6"	0'-6"	0'-6"
	22.5°	12"	1'-0"	1'-3"	3'-0"	2'-0"
10"		1'-0"	1'-3"	3'-0"	2'-0"	2'-0"
8"		0'-10"	1'-0"	2'-6"	1'-6"	1'-6"
6"		0'-8"	1'-0"	1'-9"	1'-3"	1'-3"
16"		1'-3"	1'-6"	3'-3"	2'-0"	2'-0"
11.25°	12"	1'-0"	1'-6"	2'-6"	1'-6"	1'-6"
	10"	1'-0"	1'-0"	2'-3"	1'-3"	1'-3"
	8"	0'-10"	1'-0"	1'-9"	1'-0"	1'-0"
	6"	0'-8"	1'-0"	1'-6"	0'-6"	0'-6"
	16"	1'-3"	1'-6"	3'-3"	2'-0"	2'-0"

X\* = DIAMETER OF PIPE TO BE BLOCKED

**TYPICAL BLOCKING**  
N.T.S.



**PIPE BEDDING AND HAUNCHING**  
WATER MAIN  
N.T.S.



LOWNDES COUNTY, GEORGIA  
STANDARD DETAILS  
WATER AND WASTEWATER

REVISED JANUARY 2003  
DATE: JULY 1996  
SCALE: N.T.S.  
JOB NO.: 1215-015-01  
SHT. LC-14



LOWNDES COUNTY, GEORGIA  
STANDARD DETAILS  
WATER AND WASTEWATER

REVISED JANUARY 2003  
DATE: JULY 1996  
SCALE: N.T.S.  
JOB NO.: 1215-015-01  
SHT. LC-14



LOWNDES COUNTY, GEORGIA  
STANDARD DETAILS  
WATER AND WASTEWATER

REVISED JANUARY 2003  
DATE: JULY 1996  
SCALE: N.T.S.  
JOB NO.: 1215-015-01  
SHT. LC-7

DATE	REVISIONS
06/24/2023	REVISIONS PER COUNTY COMMENTS
06/29/2023	REVISIONS PER COUNTY COMMENTS
07/05/2023	REVISIONS PER COUNTY COMMENTS
07/12/2023	REVISIONS PER COUNTY COMMENTS

**BRIGGSTON ROAD PAVING IMPROVEMENTS**  
LOWNDES COUNTY, GEORGIA  
L.L. 20, 21, 24, 25, & 26 OF THE 16TH L.D.  
& L.L. 70 & 71 OF THE 11TH L.D.

**INNOVATE!**  
Engineering & Surveying  
PHONE: 229-249-9113 - www.innovatecs.com  
2214 N. Patterson Street, Valdosta, GA 31602



DATE: 09/14/2022  
DRAWN BY: M. WILSON  
CHECKED BY: B. KENT

SHEET  
45 OF 47

PROJECT NUMBER  
1669